

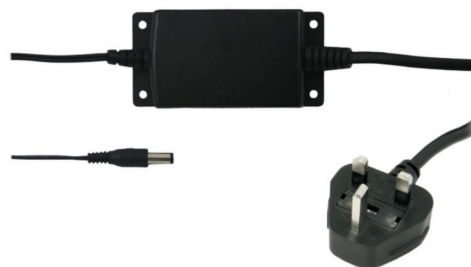
INSTALLATION POWER SUPPLY 24VDC 15WATT



STONTRONICS: T6262ST

Features:

- Level VI
- Universal / Full range AC input
- Fixed AC mains lead (UK plug)
- Class II power (no earth)
- Small & Compact design



Description:

The TT Range of 15 Watt AC/DC Installation Power supplies are offered in a low profile compact enclosure with 4 mounting tabs, a fixed AC Input Cable and DC Output Cable, Single output voltage between 5vdc – 24vdc. These highly reliable power supplies can be used in many indoor applications such as CCTV, Access control and Building Management Systems.

Specification	
Part Code	T6262ST
Voltage	24Vdc
Current Max	0.625A
Power (Watts)	15W
Line Regulation	+/-1%
Ripple & Noise	150mV
Protections	Over Voltage, Over Load, Short Circuit, Temperature
Case Size (mm)	93.7(L) x 47(W) x 26(H)
Weight	250g
DC Cord	1.5m
DC Plug	Straight 2.1 C+ve
Rated Input Voltage	100-240Vac
Full Input Voltage Range	90-264Vac
Full Frequency Range	47-63Hz
Efficiency	84.12% Min. (CEC & DOE LEVEL VI Compliant) 84.50% Min. (ErP Tier2 Compliant)
Input Current RMS Max	500mA
Inrush Current	NO Damage
Leakage Current	<0.25mA
Input Power (No Load)	<0.1W (CEC & DOE LEVEL VI Compliant) <0.075W (ErP Tier2 Compliant)
AC Mains Lead	1.8m UK plug
Hi-Pot	3000Vac 10mA 1Min.
Operating Temperature	0°C to +40°C
Storage Temperature	-10°C to +70°C
Operating Humidity	20% to 80%
Storage Humidity	10% to 90%
Safety Approvals	GS & CE
EMI Standards	FCC Class B, CE & VCCI – II
MTBF	50K

General Note

TT Electronics reserves the right to make changes in product specification without notice or liability. All information is subject to TT Electronics' own data and is considered accurate at time of going to print.

STONTRONICS

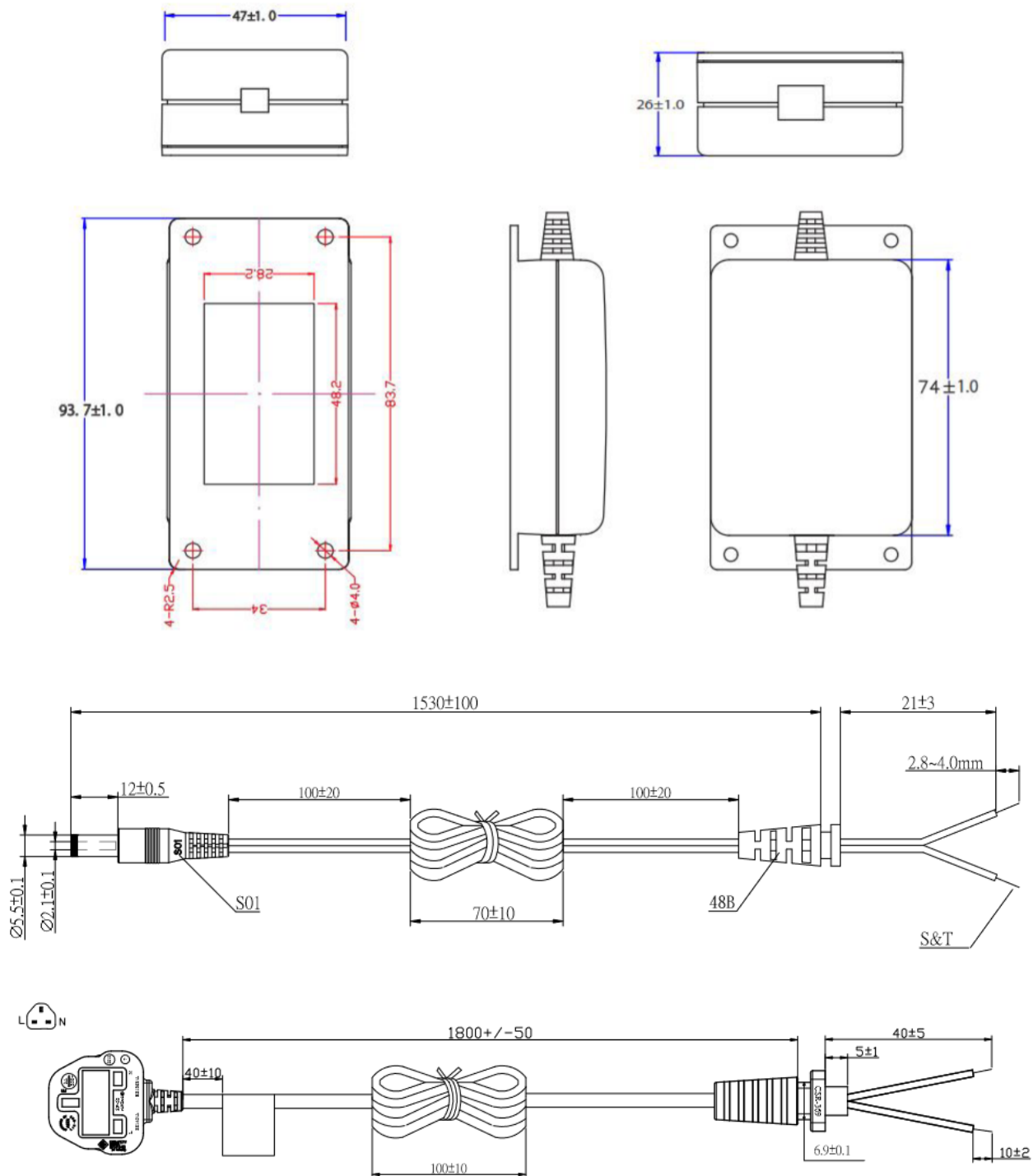
TT Electronics IoT Solutions Ltd
Tofts Farm East, Brenda Road, Hartlepool, TS25 2BQ, UK
t: +44 (0) 1429 852 500

INSTALLATION POWER SUPPLY 24VDC 15WATT

STONTRONICS: T6262ST



Diagrams



General Note
TT Electronics reserves the right to make changes in product specification without notice or liability. All information is subject to TT Electronics' own data and is considered accurate at time of going to print.

STONTRONICS

TT Electronics IoT Solutions Ltd
Tofts Farm East, Brenda Road, Hartlepool, TS25 2BQ, UK
t: +44 (0) 1429 852 500